
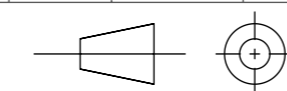
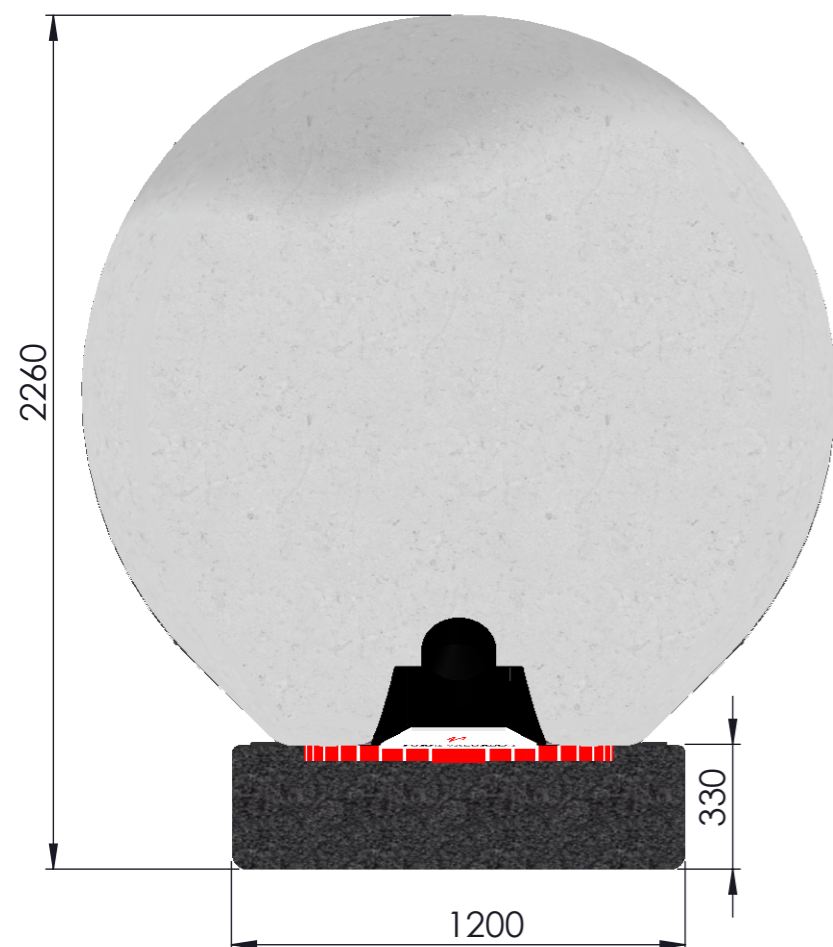
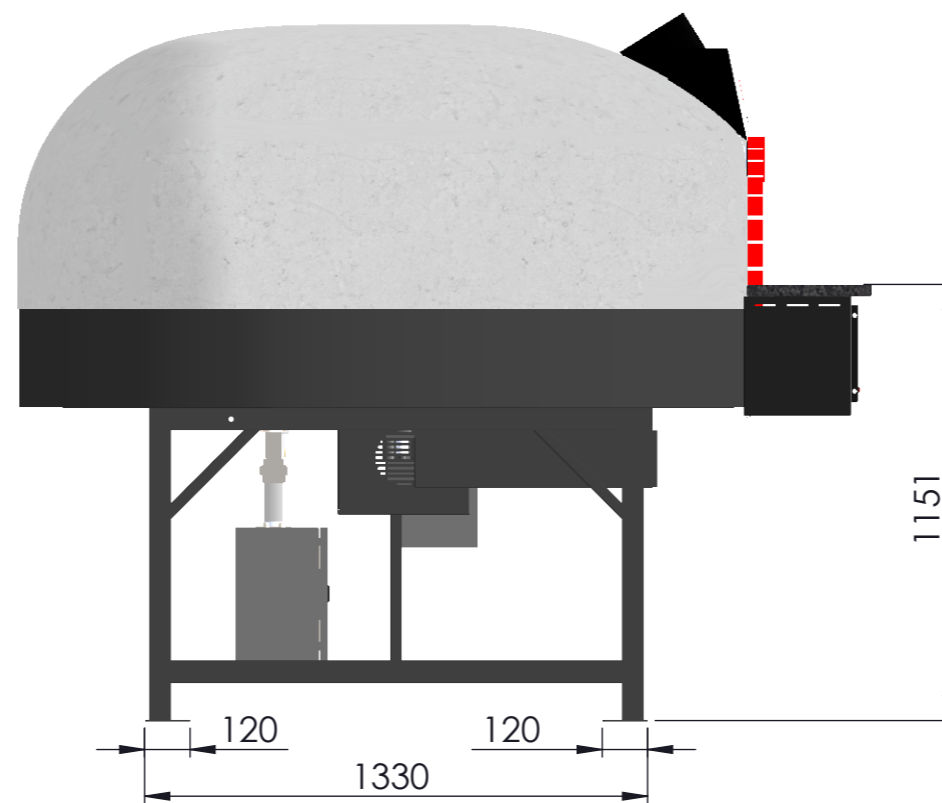
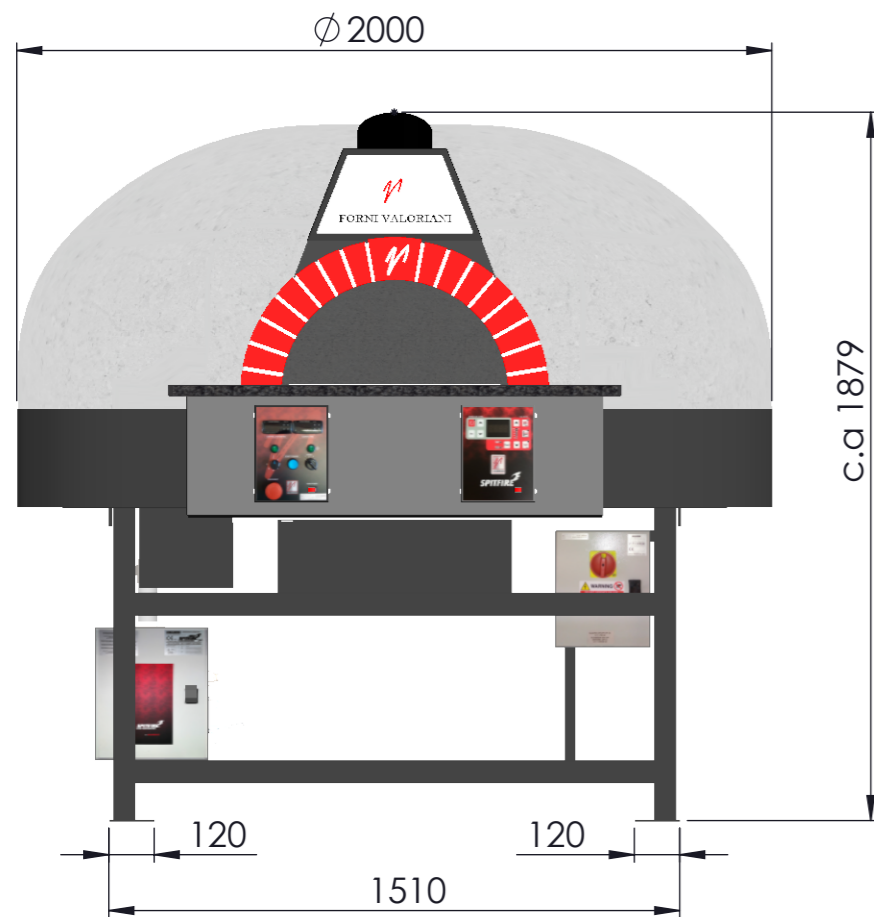


Nominal heating capacity of the Oven	30 Kw
Temperature range of utilization	250/470°C
Flue exit diameter	Ø 200 mm.
Flue gas temperature at the manifold	190/270°C
Required extraction Flow	290/310 Nmc/h
ΔP Flue	- 0,4 mmH <sub>2</sub> O (-3,9Pa)
Electric Power Supply	220/240V - 50Hz - 300W
Gas Pressure Required	Ng- 20 mBar/ Lpg 30 mBar
Required Gas Power	34 Kw
Maximum power of wood's fire	9 Kw

 <b>REFRATTARI VALORIANI S.R.L.</b> Via Caselli alla Fornace 213 - 50066 Reggello (FI) Italia tel. +39-055868069	NON SCALARE IL DISEGNO		REVISIONE																							
	TITOLO: <h2 style="text-align: center;">Rotary Oven 140 Standard</h2>																									
<table border="1"> <thead> <tr> <th></th> <th>NOME</th> <th>FIRMA</th> <th>DATA</th> <th>Aspected Weight</th> </tr> </thead> <tbody> <tr> <td>DISEGNATO</td> <td>Rapaccini A.</td> <td></td> <td></td> <td rowspan="3" style="text-align: center;"><b>Kg. 1950</b></td> </tr> <tr> <td>VERIFICATO</td> <td>Rapaccini A.</td> <td></td> <td></td> </tr> <tr> <td>APPROVATO</td> <td>Rapaccini A.</td> <td></td> <td></td> </tr> <tr> <td>QUALITA'</td> <td></td> <td></td> <td></td> <td>FINITURA: <b>Matal Painted Graphite</b></td> </tr> </tbody> </table>		NOME	FIRMA	DATA	Aspected Weight	DISEGNATO	Rapaccini A.			<b>Kg. 1950</b>	VERIFICATO	Rapaccini A.			APPROVATO	Rapaccini A.			QUALITA'				FINITURA: <b>Matal Painted Graphite</b>	N. DISEGNO	<h1>20180716</h1>	A3
	NOME	FIRMA	DATA	Aspected Weight																						
DISEGNATO	Rapaccini A.			<b>Kg. 1950</b>																						
VERIFICATO	Rapaccini A.																									
APPROVATO	Rapaccini A.																									
QUALITA'				FINITURA: <b>Matal Painted Graphite</b>																						
PESO: \$PRPSHEET:{Peso}	SCALA:1:20	FOGLIO 1 DI 1																								





Nominal heating capacity of the Oven	29 Kw
Temperature range of utilization	250/470°C
Flue exit diameter	Ø 200 mm.
Flue gas temperature at the manifold	190/270°C
Required extraction Flow	270/290 Nmc/h
ΔP Flue	- 0,4 mmH2O (-3,9Pa)
Electric Power Supply	220/240V - 50Hz - 300W
Gas Pressure Required	Ng- 20 mBar/ Lpg 30 mBar
Required Gas Power	29 Kw
Maximum power of wood's fire	7 Kw

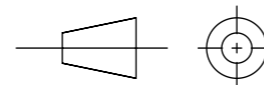


REFRATTARI VALORIANI S.R.L.

Via Caselli alla Fornace 213 -  
50066 Reggello (FI) Italia tel. +39-055868069

	NOME	FIRMA	DATA	Aspected Weight
DISEGNATO	Rapaccini A.			<b>Kg 1950</b>
VERIFICATO	Rapaccini A.			
APPROVATO				
QUALITA'				

FINITURA:  
**Metal = painted graphite  
Dome = painted white wall**



NON SCALARE IL DISEGNO

REVISIONE

TITOLO:

**Rotary Oven  
140  
Dome**

N. DISEGNO

**20200112/1**

A3

SCALA:1:20

FOLGIO 1 DI 1